

PORTO AIR



Optics: Lenses
Material: Aluminum, stainless steel, glass
Source: LED

Specification

Dimensions: Ø: 560mm H: 600mm
Weight: 6,7kg
Ingress protection: IP66
Impact protection: IK08
Protection class: I / II EU, IEC-EN60598

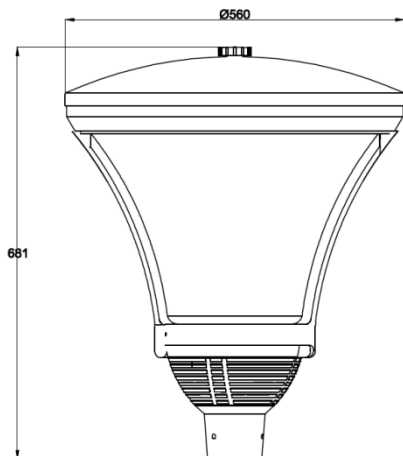


APPLICATION AREAS

- Parks
- Roads, Streets
- Pathways
- Parkinglots
- Residential areas
- Squares
- Buisness centers

SPECIFICATION

Certified:	TUV, According EN 60598-2-3:2003+A1 EN 60598-1:2015
Futureproof for automated maintenance:	No
Light source:	LED
Overvoltage protection:	4kV / 10kV
Programmable version:	DALI, 0-10V
Non programmable version:	36W
Light output:	AIR version 4000K 110-140 lm/W AIR version 3000K 100-135 lm/W
Correlated light temperature:	4000K or 3000K
Color rendering index:	CRI70
SDCM:	>5
Lifetime according L80	100,000h or 125.000h, depending on power (25 ° C)
Lifetime according L70	175,000h alt 200.000h, depending on power (25 ° C)
Operating temperature range:	IESNA LM80
Driver/LEDs maintenance:	-40° to +30°C
Mains Voltage:	220-240 V AC/50-60 Hz
EMC:	Driver/luminaire according EN55015,EN61000-2-3,EN61547
Optics:	Lenses
Material:	Aluminum, stainless steel, glass
Weight:	6,7kg
Color housing:	Dark gray (RAL7016)
Mounting:	Ø60 top mounted
Recommended mounting height:	3m - 6m.
Minimum mounting height:	3m (to ensure photobiological safety)
Max SCx:	0,075m2
Mounted installation cable:	Yes



CERTIFICATE of Conformity



Certificate No.: MK 69260025 0001

Test Report No.: 28244163 001

Certificate Holder: STRIHL Scandinavia AB
MAGASINSGATAN 6 B
434 37 KUNGSBACKA
Sweden

Manufacturer: STRIHL Scandinavia AB
MAGASINSGATAN 6 B
434 37 KUNGSBACKA
Sweden

Product: Outdoor LED luminaire

Identification: Type designation: PORTO AIR(II) luminaire

Ratings: AC 220-240V; 50-60Hz;
Max power: 45W;
IP66; IK08;
Class II; Ta: 50°C

Trade mark: STRIHL

Tested according to: EN 60598-2-3:2003+A1:2011
EN 60598-1:2015

This certificate refers to the above mentioned product. This is to certify that the test sample is in conformity with the requirements stated above. This certificate does not imply assessment of the series-production of the product and does not permit the use of a TÜV Rheinland mark of conformity.

Date of Issue:

Budapest, 2018.07.05



TÜV Rheinland InterCert Kft. – Product Certification Body — H-1132 Budapest, Mécset ut 48/A-B — www.tuv.hu
IT_07-D-Pe_4_0

STRIHL SCANDINAVIA AB
WWW.STRIHL.SE
+46 (0)300-569980