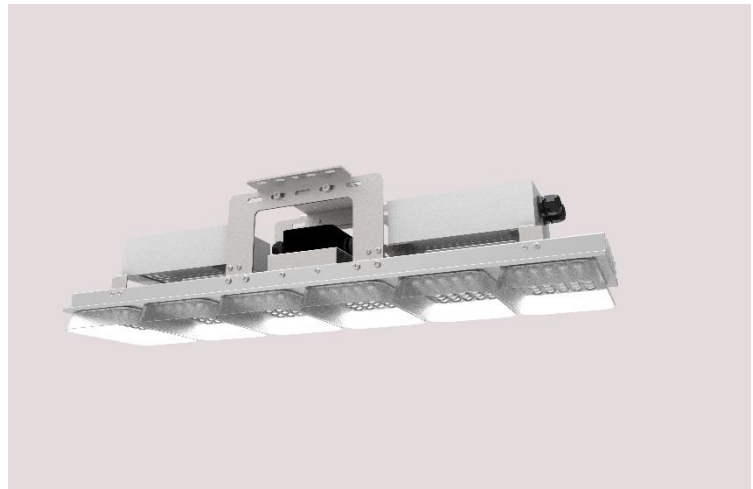


ECHO 3



Optics: Lenses
Material: Aluminum. Stainless steel, polycarbonate
Light Source: LED

Characteristics

Dimensions: L: 825mm W: 194 mm H: 194mm
Weight: 12kg
Ingress protection: IP54/66
Impact protection: IK08
Protection class: I EU

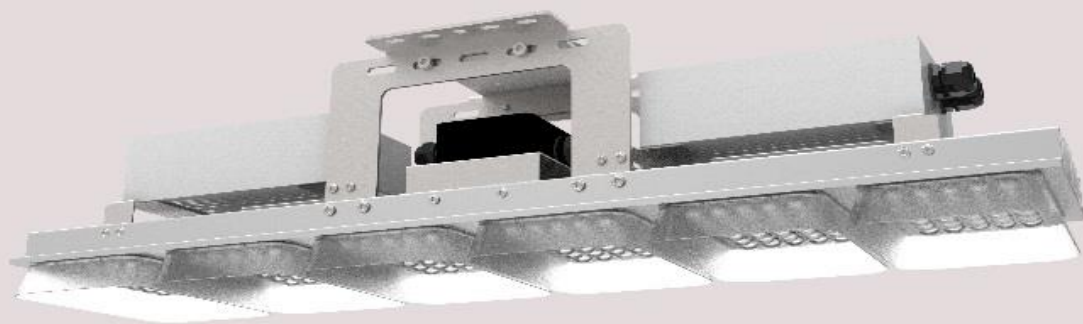


APPLICATIONS AREAS

- Outside ceilings
- Warehouses
- Industries
- Sportscenters

SPECIFICATION

Certified:	No, IP54/66, luminaire complies with EN60598
Light Source:	LED
Overvoltage protection:	4kV / 10kV
Programmable version:	0-10V, DALI
Non programmable versions:	360W
Light output:	4000K 110-140 lm/W, 3000K 100-135 lm/W
Correlated colour temperature:	4000K as standard / 3000K on order
Colour rendering index:	CRI70
SDCM:	>5
Service life according L90:	100,000h
Service life according L80:	140,000h
Service life according L70:	175,000h
Operating temperature range:	IESNA LM80 -35° to +35°C
Driver/LEDs maintenance:	Replaceable
Mains Voltage:	100-240 V AC/50-60 Hz
EMC:	Driver/luminaire according: EN55015, EN61000-2-3, EN61547
Optics:	Lenses
Material:	Aluminum, stainless steel, polycarbonate
Weight:	12kg
Colour:	Aluminum (RAL9006)
Mounting / bracket:	Wire hanging, ceiling mounting, beam mounting
Recommended mounting height:	3m-40m depending on power and purpose
Minimum mounting height:	3m (to ensure photobiological safety)
Mounted installation cable:	Yes



STRIHL SCANDINAVIA AB
WWW.STRIHL.SE
+46 (0)300-569980

ECHO 3

