



Optics: Lenses
Material: Aluminum, PC, Steel
Light source: LED

Specification

Dimensions: Small: Ø 360mm H= 275mm, Large: Ø 503mm H: 375mm
Weight: Small 7,7kg Large: 10,7kg
Ingress protection: IP66
Impact protection: IK08
Protection class: I EU / II EU IEC EN60598

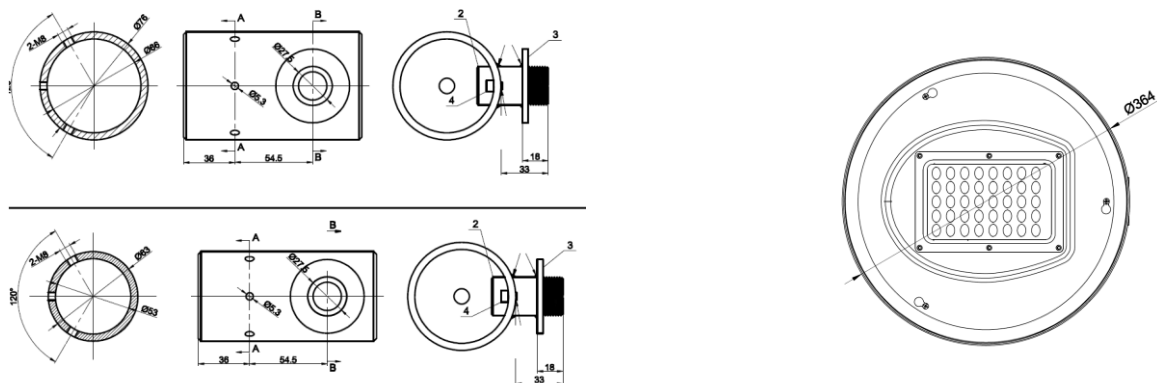


APPLICATION AREAS

- Parks
- Residential areas
- Squares
- Business centers
- Roads, Streets
- Bicycle Paths
- Parkinglots

SPECIFICATION

Certified:	TUV, According EN 60598-2-3:2003+A1:2011 EN 60598-1:2015
Futureproof for automated maintenance :	No
Light Source:	LED
Overvoltage protection:	4kV / 10kV
Programmable version:	DALI, 0-10V
Non programmable versions:	20W, 32W, 45W, 50W, 70W
Light output:	Clear flatglass 3000K, 100-135 lm/W Opal flatglass 3000K, 100-125 lm/W
Colour temperature:	3000K
Light Colour:	CRI70
SDCM:	>5
Service Life according L80F10:	100,000h (25 °C)
Service Life according L70	175,000h (25 °C)
	IESNA LM80
Operating temperature range:	-40° to +30°C
Driver/LEDs maintenance:	Replaceable
Mains voltage:	220-240 V AC/50-60 Hz
EMC:	Driver/luminaire complies with EN55015,EN61000-2-3,EN61547
Optics:	Lenses
Material:	Aluminum, stainless steel, PC
Weight:	7,7kg – 10,7kg
Housing colour:	RAL9006
Bracket:	Ø60 topmounted
Recommended mountingheight:	3m - 8m.
Minimum mounting height:	3m (to ensure photobiological safety)
Max SCx:	0,055m2
Mounted installations cable:	Yes





Without flatglas

STRIHL SCANDINAVIA AB
WWW.STRIHL.SE
+46 (0)300-569980

CERTIFICATE of Conformity



Certificate No.: MK 69261995 0001

Test Report No.: 28249797 001

Certificate Holder: STRIHL Scandinavia AB
MAGASINSGATAN 6 B
434 37 KUNGSBACKA
Sweden

Manufacturer: STRIHL Scandinavia AB
MAGASINSGATAN 6 B
434 37 KUNGSBACKA
Sweden

Product: Steelight LED luminaire

Identification: Type designation: ATMOSPHERE(II)

Ratings: AC 230V; 50Hz; 70W;
IP65; IK08; Class II; Ta:40°C

Trade mark: STRIHL 

TÜVRheinland

Tested according to: EN 60598-2-3:2003+A1:2011
EN 60598-1:2015

This certificate refers to the above mentioned product. This is to certify that the test sample is in conformity with the requirements stated above. This certificate does not imply assessment of the series-production of the product and does not permit the use of a TÜV Rheinland mark of conformity.

Date of Issue:
Budapest, 2019.06.04



TÜV Rheinland InterCert Kft. – Product Certification Body – H-1152 Budapest, Váci út 48/A-B – www.tuv.com
IT_07-D-Pe_4_0