

# ATMOSPHERE



Optics:	Assymetrical lens 2 / 5, several symmetrical lenses available, flatglass.
Material:	Aluminum, Opal top from polycarbonate, bracket from hot dip galvanized steel.
Light source:	20-42pcs LEDs

## Specification

Diameter 360mm H= 275mm, larger version is available.

Weight: 7,7kg

Protection class: IP66

Insulation class: I EU / II EU IEC EN60598

## Product description

A very nice decorative luminaire that creates a warm welcoming atmosphere. Opal top with a smooth light transmission. Elegant and decorative luminaire with the latest technology and design. Comfortable and glare free light distribution.

Die-casted powder coated aluminum. Pole bracket made from hot dip galvanized steel. Available with several symmetrical and asymmetrical lenses. Opal flatglass also available. Delivered with bracket and mounted installation cable.

Effective heat release to optimize

Lifetime.

Cooling flanges are hidden inside housing and protected.



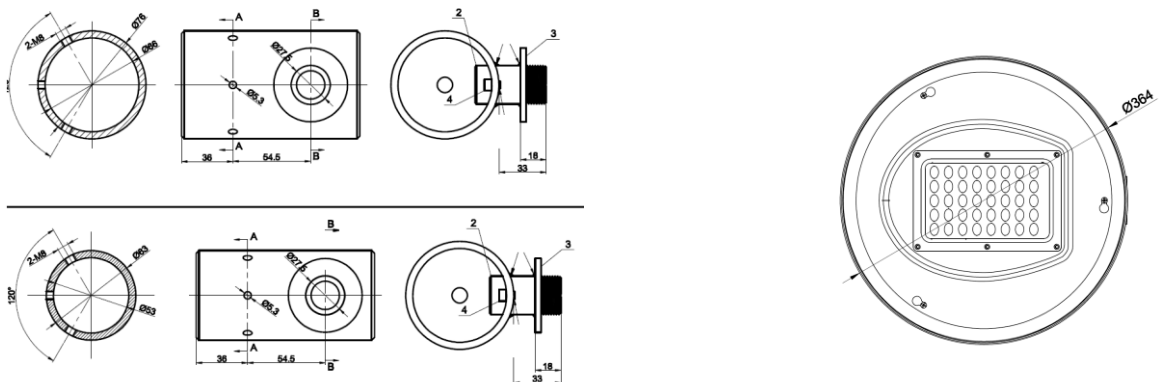
## APPLICATION AREAS

- Parks
- Residential areas
- Squares
- Buisness centers
- Roads, Streets
- Bicycle Paths
- Parkinglots

# SPECIFICATION

<b>Certified:</b>	No, luminaire complies with EN60598-2-3
<b>Futureproof for automated maintenance :</b>	No
<b>Light Source:</b>	High lumen multichip, 20-42 LEDs
<b>Overvoltage protection:</b>	6kV / 8kV / 10kV
<b>Programmable version:</b>	OSRAM Optotronic 4 DIM, 20-45W (Insulation class II)
<b>Non programmable versions:</b>	Straight driver 36W, 50W, 70W (Insulation class I)
<b>Light output:</b>	Clear flatglass 3000K, 125-150 lm/W Opal flatglass 3000K, 110 lm/W
<b>Colour temperature:</b>	3000K
<b>Light Colour:</b>	Ra85
<b>Service Life according L80F10:</b>	100,000h (25 °C)
<b>Service Life according L70</b>	175,000h (25 °C) IESNA LM80
<b>Operating temperature range:</b>	-40° to +30°C, LED modules are protected against direct sunlight
<b>Driver/LEDs maintenance:</b>	Exchangeable with screwdriver
<b>Mains voltage:</b>	220-240 V AC/50-60 Hz
<b>EMC:</b>	Driver/luminaire complies with EN55015,EN61000-2-3,EN61547
<b>Optics:</b>	Several assymetrical and symmetrical lenses available
<b>Material:</b>	Aluminum, diecasted and pressed steel, polebracket HDG steel
<b>Weight:</b>	7,7kg
<b>Housing colour:</b>	Housing RAL9006, top RAL 9006, bracket HDG
<b>Bracket:</b>	Ø60 topmounted
<b>Recommended mountingheight:</b>	3m - 8m.
<b>Max SCx:</b>	0,055m2
<b>Mounted installations cable:</b>	Yes always, FQQ / MPC, 2x1,5, 3x1,5, 5x1,5
<b>Luminaire design:</b>	R. Carlén

Brackets





Without flatglas

STRIHL SCANDINAVIA AB  
WWW.STRIHL.SE  
+46 (0)300-569980